



# LD3R-4RSL

## 4" Round 30° Sloped Regressed LED 15W

Project: \_\_\_\_\_

Location: \_\_\_\_\_

Model: \_\_\_\_\_ Beam: \_\_\_\_\_ Qty: \_\_\_\_\_

Notes: \_\_\_\_\_

### DESCRIPTION

4" Round 30° Sloped Regressed LED  
With Integral Driver In Connection Box

### FEATURES & BENEFITS

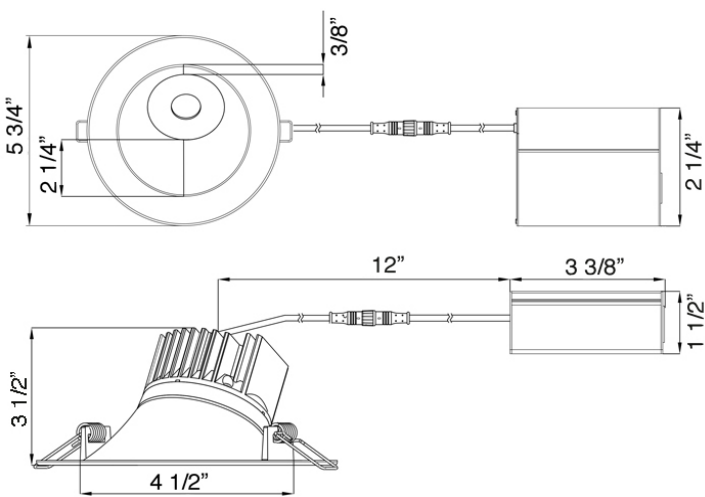
3/4" Regressed & with 38° Directional Beam for Reduced Glare  
3 1/2" Deep - Install Where Ceiling Space Is Limited  
Type IC, Air-Tight & Wet Location rated  
**5CCT** user selectable 2700-3000-3500-4000-5000K  
or **Dim to Warm** 3000K to 1800K options  
CRI 90+ for True Color Rendering  
Options of 4 beam angles: standard **38°** and custom **15°, 24° & 60°**  
Driver Inside Connection Box - No Junction Box Needed

### MOUNTING

Cut Hole In Ceiling And Snap Fixture In Opening  
With Attached Spring Clips  
Ceiling Clearance Required for driver to fit: 3 1/2"

**DIMENSIONS:** ID 4 1/2"; OD 5 3/4"; Cut Out 4 1/2" to 5"

| SPECIFICATION              |   |
|----------------------------|---|
| Applications               | Sloped Ceilings , Wall Washing                    |
| Power                      | 15 W  |
| Color Temperature (K)      | 2700   3000   3500   4000   5000   DTW 3000-1800K |
| Light Output (lm)          | 1220   1260   1330   1380   1390   1280           |
| Halogen Equivalent         | 120 W   |
| Trim Slope Angle           | 30°   |
| Beam Angle                 | standard 38°   custom 15°, 24°, 60°               |
| CRI                        | 90 +  |
| Default Driver Input       | 120V AC Triac Dimmable                            |
| Optional Driver Input      | 120V-347V AC 0-10V Dimmable                       |
| Junction Box Wire Capacity | Max 5 No 12 AWG or 8 No 14 AWG                    |
| Power Factor               | 0.95  |
| Approved Location          | Insulated Ceiling & Wet Locations                 |
| IP Rating                  | IP 54   |
| Air Tight                  | Yes   |
| Ambient Temperature        | -40°F (-40°C) to +104°F (+40°C)                   |
| Projected Life             | 70% Light Output at 50,000 Hours                  |
| Certification              | cULus   |
| Warranty                   | 10 Year Residential / 5 Year Commercial           |



### AVAILABLE TRIMS



White



Black

120V TRIAC Dimmable  
Driver Included



Optional 120V-347V  
Driver 0-10V Dimmable  
Order Separately as  
[model # LLL-LD1535T3](#)

### ORDERING GUIDE

- LD3R-5CCT-4RSL-WH**      [5CCT White Trim](#)
- LD3R-3018K-4RSL-WH**    [Dim to Warm White Trim](#)
- LD3R-5CCT-4RSL-BK**      [5CCT Black Trim](#)
- LD3R-3018K-4RSL-BK**    [Dim to Warm Black Trim](#)



Standard Beam Angle: **38°**

Custom Beam Angles - order as adder:

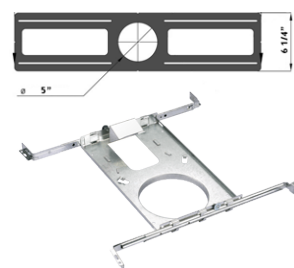
- 15D Lens LD3R LD3S LL3R**                      15°
- 24D Lens LD3R LD3S LL3R**                      24°
- 60D Lens LD3R LD3S LL3R**                      60°

### ACCESSORIES

Sold Separately

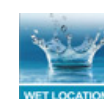


Low Voltage Extension Cables. Max 40 ft Allowed  
[6ft - model # EXC6](#)  
[20ft - model # EXC20](#)



[Flat Rough-In Plates - model # RIP5](#)  
[Flanged Plate with Hanger Bars model # FRP412](#)

### COMPLIANCE



**Type IC & Air-Tight  
Wet Location**

**Lotus LED Lights USA**  
250 H Street # 301, Blaine WA 98230 tel 360-200-5500  
Hainesport NJ, Naples FL, Vancouver WA

[www.LotusLEDLights.com](http://www.LotusLEDLights.com)  
mailing addresses  
warehouses

**Lotus LED Lights CANADA**  
1080 Cliveden Ave # 6, Delta BC V3M 6J6 tel 604-538-3090  
Delta BC & Mississauga ON